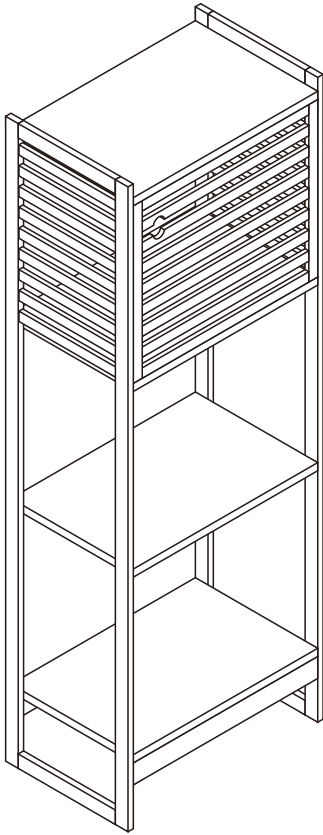


SELENE TYP 2



A



x20

B



x2

C



x1

D



x1

E



x4

F



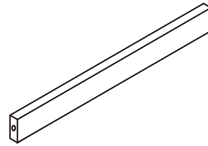
x1

a



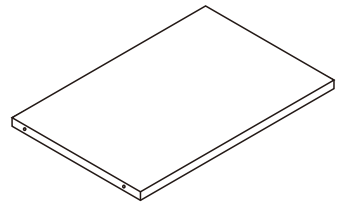
x2

b



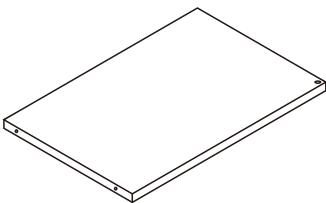
x2

c



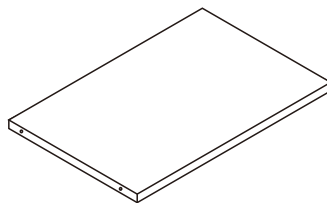
x2

d



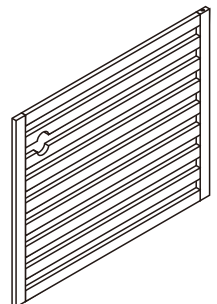
x1

e



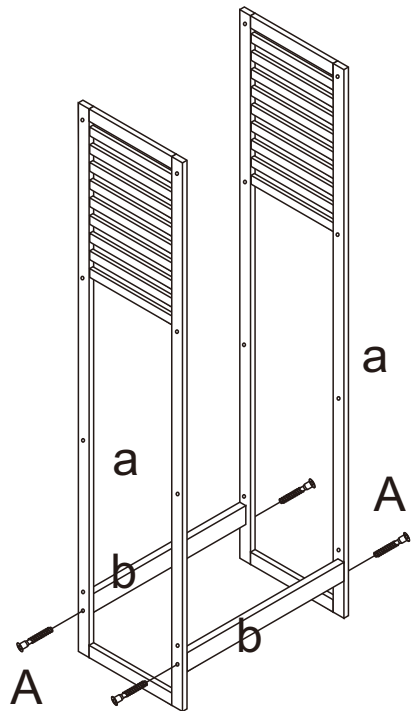
x1

f

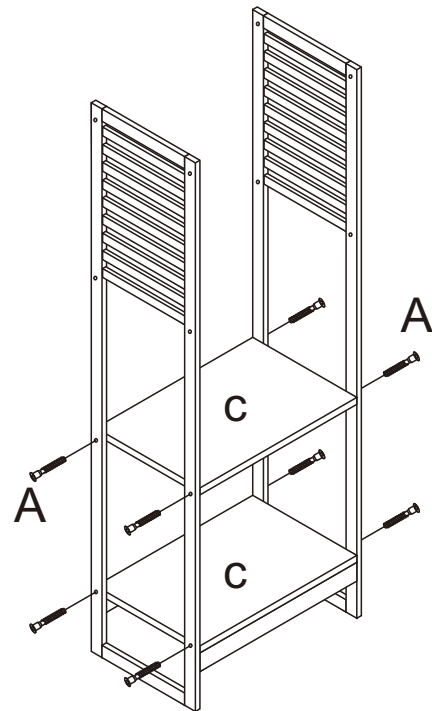


x1

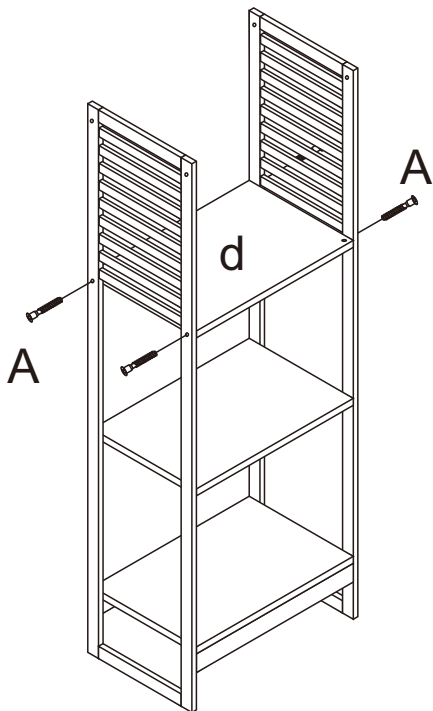
1



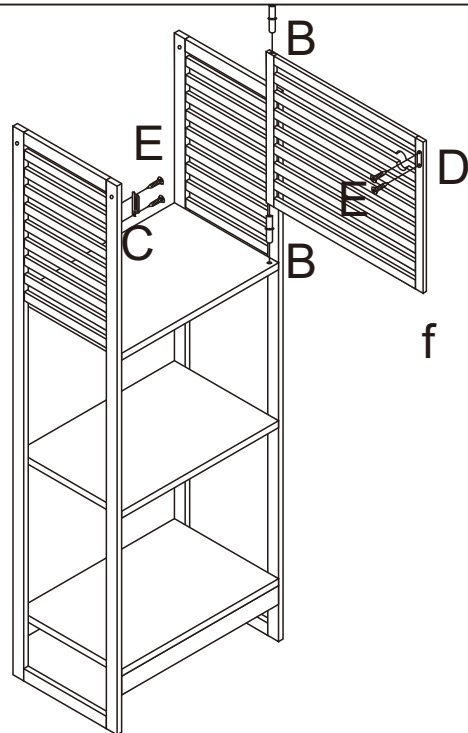
2



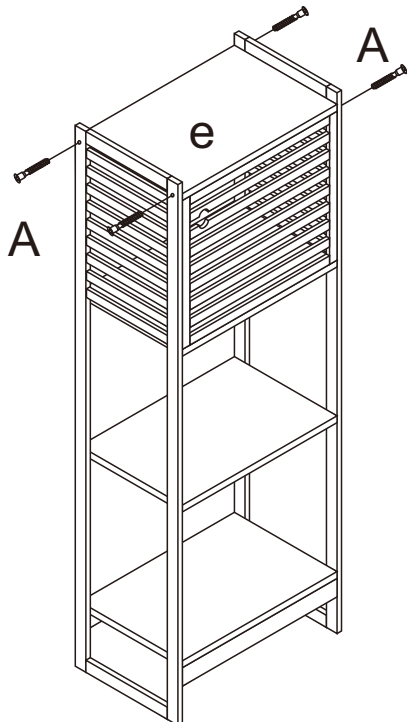
3



4



5



6

